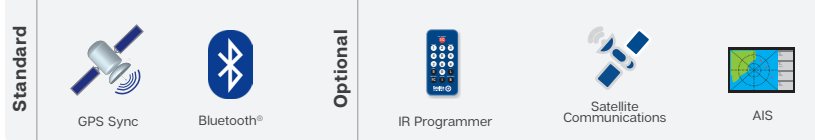


7-11NM Omni-Directional Marine Sector Lantern

SL-ODSL



The SL-ODSL is a high intensity, two-tier Omni-directional Marine Sector Lantern with a range of 7-11NM. It is designed and manufactured to withstand the tough marine environment, providing years of reliable, low-maintenance service.

Intensity Range

High intensity capabilities of up to 2600 candela in white utilising leading technology LEDs for a visible range of 7-11NM.

Enhanced Optics

The refractive optics and lens design ensures light is only projected where it is needed, allowing for greater optical range as well as power efficiency.

Bluetooth® Connectivity

Integrated Bluetooth® technology using the exclusive SealitePro® app. This allows for convenient in-field setup, configuration and maintenance from a location up to 50 metres away, using your phone or tablet.

Satellite Communications

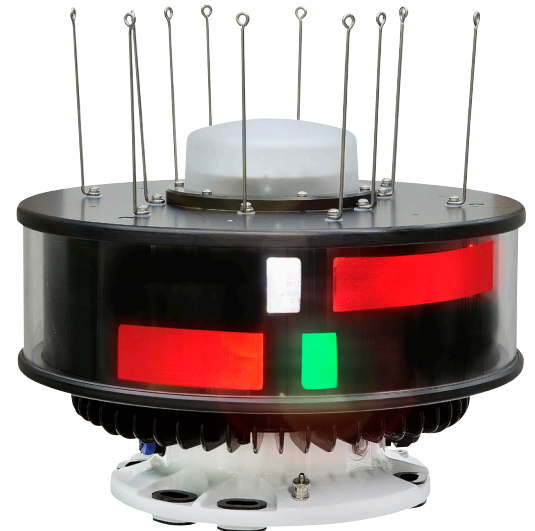
The SL-ODSL is available with an optional Iridium® Satellite module enabling two-way monitoring and control using the Iridium® Low Earth Orbit satellite network. Accessible via the Star2M® portal, the global Iridium® network offers genuine, pole-to-pole coverage and is the perfect communication partner for Sealite and our aids to navigation solutions.

AIS Compatible

Available as type 1 or type 3 and operating on the international VHF Marine Mobile Band for AtoN operational status and positioning information.

Form Factor

Smallest form factor on the market to allow for easy installation and maintenance.



SL-ODSL

(Patent Pending)



Features

- Enhanced optics
- GPS synchronisation
- Bluetooth® connectivity
- Hard wearing bird spikes

Compliance

- IALA

High Performance

- Heavy-duty aluminium base.
- User-replaceable components
- 200mm bolt pattern for immediate installation

Cost Effective

- Low maintenance costs
- Energy efficient light solution

Optional

- IR programmable
- Satellite communications
- AIS Type 1 and Type 3
- GSM

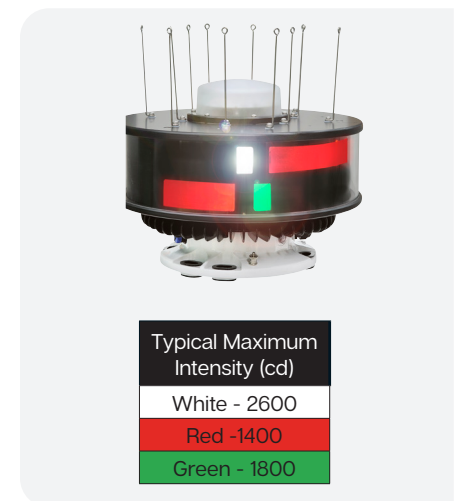
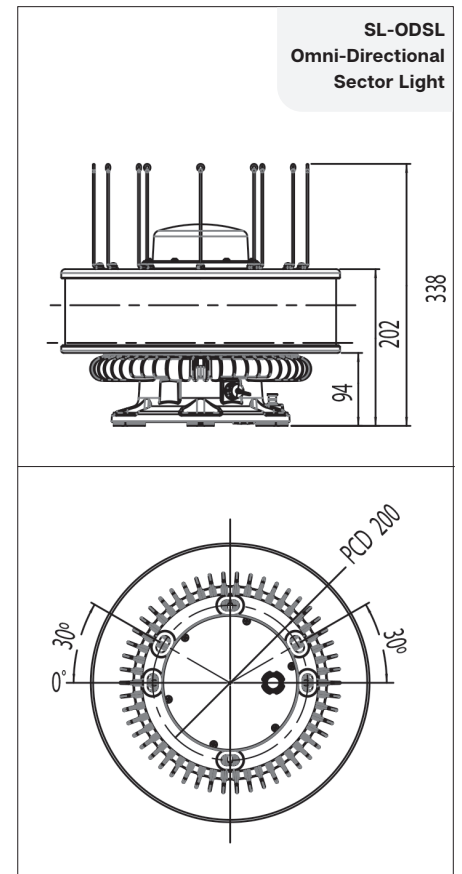
Technical Specifications*

SL-ODSL	
Light Characteristics	
Light Source	High Performance LED
Available Colours	White, Red, Green
SL-ODSL Typical Maximum Intensity (cd)†	White - 2600, Red - 1400, Green - 1800
Typical Sector Boundary Resolution (degrees)	< 0.5
Visible Range (NM)	AT @ 0.74: 7-11NM
Horizontal Output (degrees)	360
Vertical Divergence (degrees)	3
Available Flash Characteristics	Up to 310 IALA recommended (user adjustable)
Intensity Adjustments	25%, 50%, 75%, 100%
LED Life Expectancy (hours)	>100,000
Electrical Characteristics	
Maximum Power (W)	Variable to 27
Circuit Protection	Integrated
Nominal Voltage (V)	12-24
Physical Characteristics	
Body Material	Aluminium chassis with UV-stabilised outer lens
Lens Material	LEXAN® Polycarbonate – UV-stabilised
Lens Design	LED Optic
Mounting	3 & 4 hole 200mm bolt pattern
Height (mm/inches)	260 / 10.24
Width (mm/inches)	360 / 14.17
Mass (kg/lbs)	13.4 / 29.54
Service Life	15 years ^
Environmental Standards	
Shock	MIL-STD-202G Test Condition H, Method 213B 30G vertical and 35G horizontal shock
Vibration	MIL-STD-202G, Test Condition B, Method 204D 5G in all axes
Ice Loading	Rated to withstand 22kg/m ²
Wind Exposure	Rated to withstand 140 knots
Humidity	MIL-STD-810F method 507.4 (0 – 100%, condensing)
Temperature Range	-30 to 50°C
Certifications	
CE (Pending)	EN61000-6-2:2005, IEC61000-4-2:2008, IEC61000-4-3:2010, IEC61000-6-1:2016
IALA	Signal colours compliant to IALA E-200-1
Quality Assurance	ISO 9001:2015
Ingress Protection	IP67
Intellectual Property	
Trademarks	SEALITE® is a registered trademark of Sealite Pty Ltd
Patent (Pending)	PCT/AU2020/050197
Warranty *	3 years
Options Available	<ul style="list-style-type: none"> • IR Programmer • AIS (External) • Satellite Communications (External)



* Specifications subject to change or variation without notice
 * Subject to standard terms and conditions
 † Intensity setting subject to solar availability
 ^ Refer to the Sealite website under the warranty section

Technical Illustrations



How to Order SL-ODSL Omni-Directional Sector Lantern

Product No.: _____ SL-ODSL-[XX]

Option Configuration: _____

00	No Options
01	SATCOM (External)
02	GSM (External)
03	AIS Type 1 (External)
04	AIS Type 3 (External)

